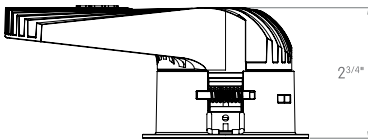


TOP VIEW



FRONT VIEW

Spec-grade performance LED downlights. Optimal for hospitality, commercial, high-end residential and corporate projects.

The Chameleon R3 downlights offer a high output, precise optics, a wide range of mounting options, reflector finishes, and optical accessories.

- Up to 600lm delivered output
- Trim mounting option
- High CRI, up to +97 CRI, available upon request
- Dim-to-Warm capability 3000K to 1800K
- Tunable White capability 2700K to 5000K
- High uniformity light distribution Emin./ Emax. = 1/3
- 5 years limited warranty
- Wide range of trims and reflectors finishes

HOUSING SPECS

Code example: **C3-L10R9**

Series	Output	Voltage	Control	Housing	Emergency
C3	L¹ 9W (400lm)	1 120V	0 Non-Dim	R Remodel	N No
	M¹ 11W (480lm)	U⁵ Universal 120V to 277V	1 0-10 to 1%	N Non-IC	9 90 mins
	H¹ 13W (560lm)		2 0-10 fade-off	I⁶ IC	
	D² 8W (365lm)		D Dali	A⁶ Airtight	
	W² 12W (562lm)		P Phase ELV & Triac	O No Housing	
	U³ 8W (445lm)		L Lutron		
	A³ 12W (620lm)		X DMX		
	C⁴ 8W (95lm)				

MODULES SPECS

Code example: **C3-R2-GW-WW-W927-0**

Mounting	Trim Color	Ref. Color	IP Rating	Optics Type	LED CRI	LED CCT	Accessories	
C3	R1 Round Trim	G	W White	W Flat White	D Dry	W Washer	9 90	0 No Accessories
	R2 Round Trim with Constant Force Spring		B Black	B Flat Black	W Wet		H Thrive	
		S Grey	N Black Nickel				30 3000K	
		X Custom	C Specular Chrome				35 3500K	
			D Diffuse Chrome				40 4000K	
			G Bright Gold				WD 3000K - 1800K	
			E Diffuse Gold				TW⁷ 2700K - 5000K	
							CC RGBW	

Notes:

- ¹ Denotes output at 3000K, unless otherwise noted.
- ² Denotes output specific to Dim-to-Warm at 3000K.
- ³ Denotes output specific to Tunable White at full on.
- ⁴ Denotes output at White, 3000K.
- ⁵ Not applicable for ELV dimming.
- ⁶ Chicago Plenum rated.
- ⁷ Tunable White available in 0-10V, DMX and DALI.

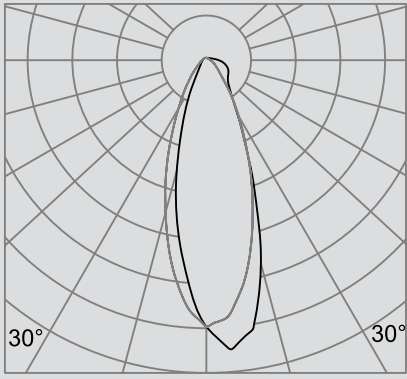
Consult factory for lead-times.
Bold Lighting reserves the right to make technical changes without notice.



OPTICAL FLEXIBILITY

Photometric data: Type C Polar Curves

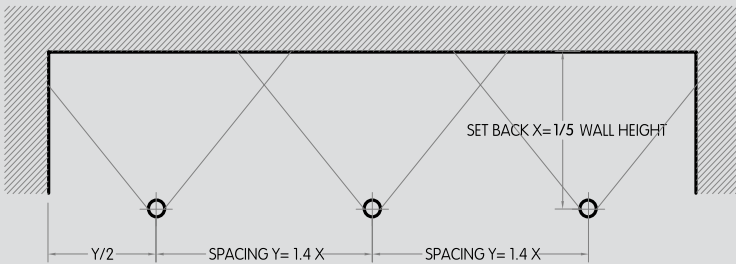
Wallwash Distribution



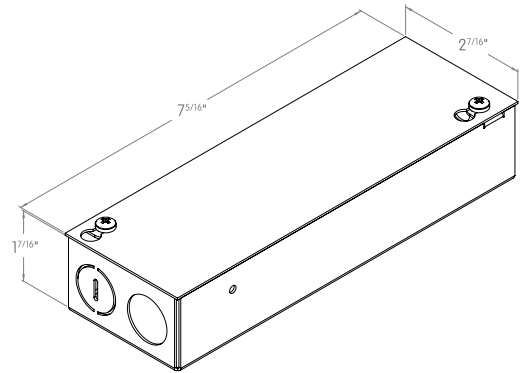
Max. 1,825 cd 1,000 lm

Wallwasher optimal spacing

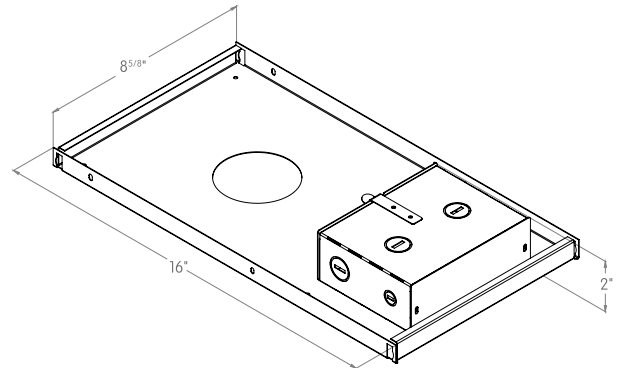
Plan View



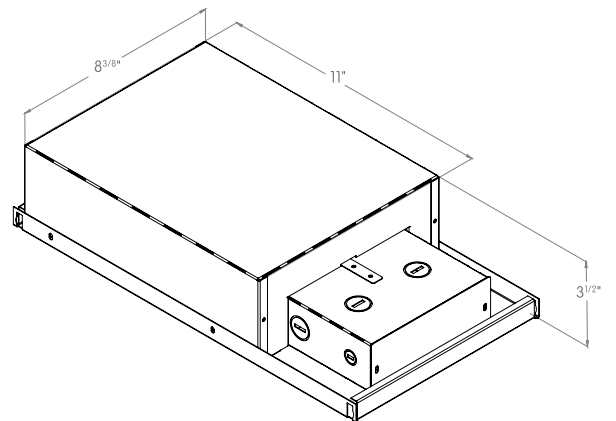
REMODEL HOUSING



NON-IC HOUSING



IC HOUSING & AIRTIGHT



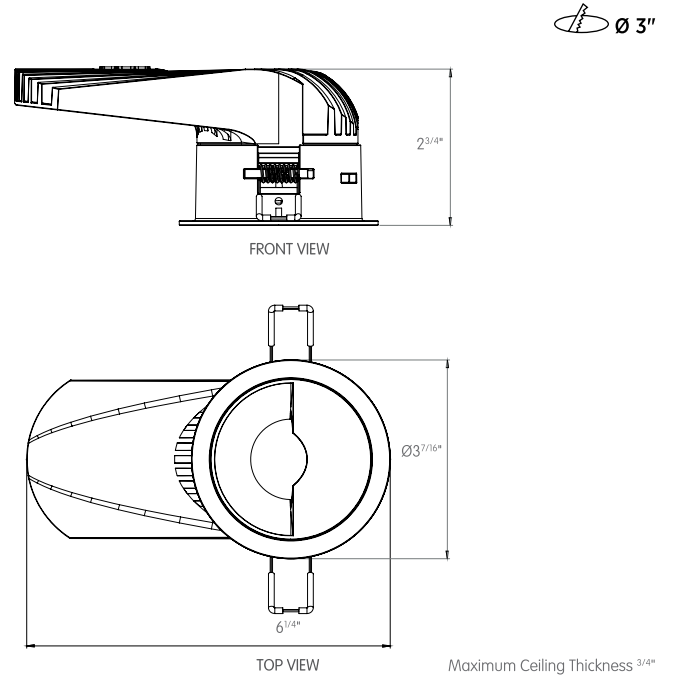
CCC Certified to GB7000



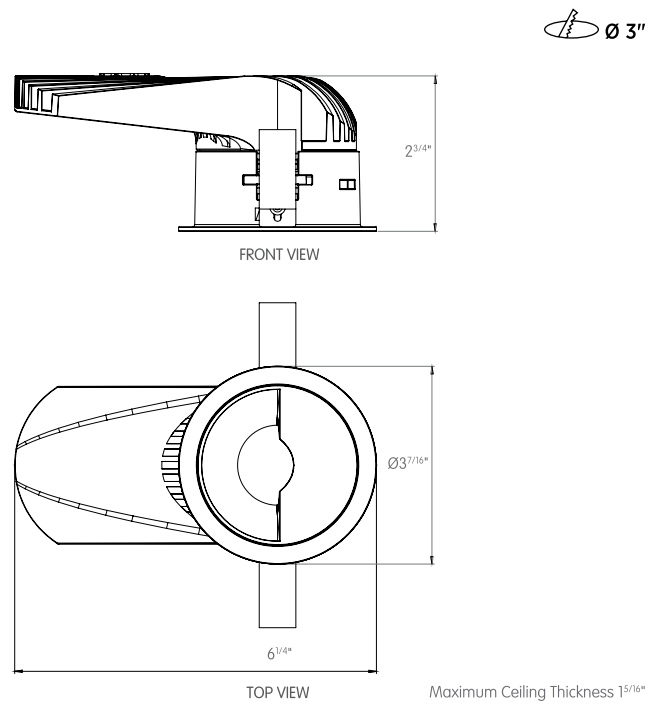
JA8 Certified to Title 24 standards

MOUNTING FLEXIBILITY

TRIM TORSION SPRINGS



TRIM CONSTANT FORCE SPRINGS



CCC Certified to GB7000



JA8 Certified to Title 24 standards

DELIVERED LUMEN OUTPUT

Output		Watts				CRI +90					
STATIC-WHITE				2700K		3000K		4000K			
L	9W			390lm		400lm		410lm			
M	11W			460lm		480lm		490lm			
H	13W			540lm		560lm		570lm			
DIM-TO-WARM 3000K-1800K						3000K					
D	8W					365lm					
W	12W					562lm					
TUNABLE WHITE 2700K-6500K				2700K				6500K			
U	8W			380lm				445lm			
A	12W			535lm				620lm			
RGBW				R		G		B		W	
L	2W			20lm		125lm		20lm		95lm	
TOTAL	8W										



CCC Certified
to GB7000



JA8 Certified
to Title 24
standards